

KOSO

STANDARD SPECIFICATION

AIR LOCK RELAY



KOSO

KOSO 's Control Valves and Instrumentation Systems

KOSO, the leading industrial control valve manufacturer with strong research and development capability of its own, has been meeting requirements of the time. Always making available a wide range of product lines that can satisfy the needs of the coming century, **KOSO** is committed to providing control valves, and the systems thereof, of highest quality and reliability, produced under its quality assurance system complying with ISO 9001 standard.

If you have questions on this technological catalog or require additional printed materials, please contact our sales representative nearest you.

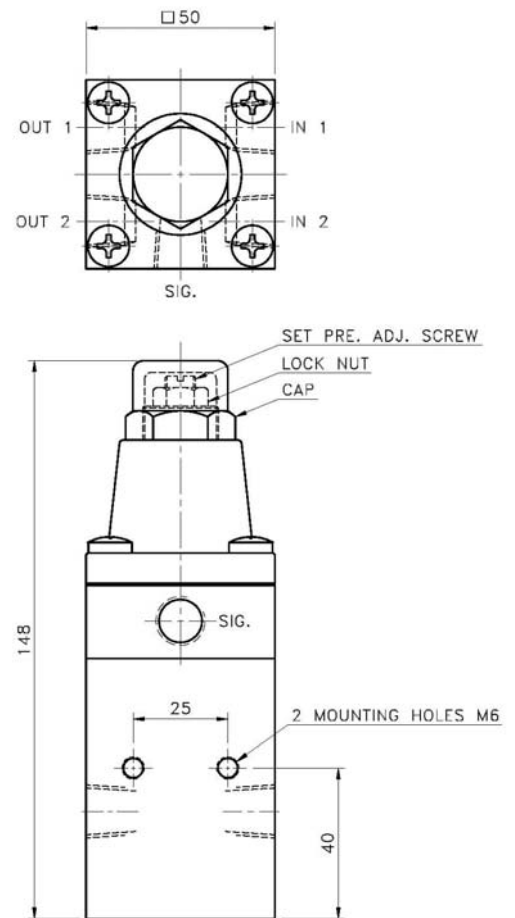
AIR LOCK RELAY - DAR01 (Double Acting)

GENERAL

Double acting Air Lock Relay is an instrument used in Pneumatically operated double acting actuators and power cylinders to hold its position (to remain in stay put condition), in the event of air failure or if the air pressure drops below the preset pressure. The airlock relay is connected between the positioner and the actuator.

STANDARD SPECIFICATION

1	Test Pressure	10 Kg/cm ²
2	Set Pressure	1.2 to 7 Kg/cm ²
3	Inlet Pressure	7 Kg/cm ² Max.
4	Differential Pressure	0.1 Kg/cm ²
5	Flow rate	600 NI/min. at 5Kg/cm ²
6	Ambient Temperature	-5 ~ 60°C
7	Air connection	1/4" NPT (F)
8	Weight	0.90 Kg.
9	Material	Aluminium



**Air Lock Relay (DAR01)
Double acting**

SETTING

Remove the cap and loose the lock nut. With the air pressure applied to both ports signal and inlet pressure, regulate the signal/Set pressure to the desired locking pressure. By rotating the setting screw clockwise or anti-clockwise locking pressure can be adjusted. Locking pressure can be checked by increasing and decreasing the signal/set pressure. Rotating the adjusting screw clockwise will increase the locking pressure and vice versa.

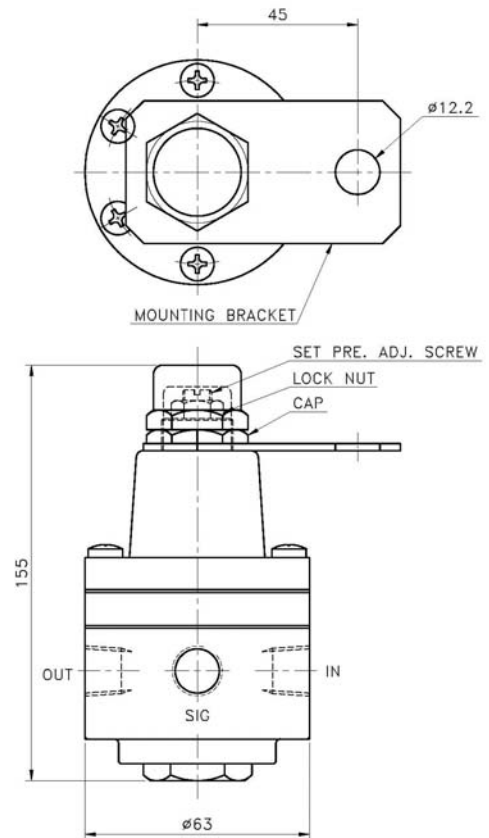
AIR LOCK RELAY - SAR02 (Single Acting)

GENERAL

Single acting Air Lock Relay is an instrument used in Pneumatically operated single acting (spring return) actuators and power cylinders to hold its position (to remain in stay put condition), in the event of air failure or if the air pressure drops below the preset pressure. The airlock relay resets automatically to auto mode when air pressure restores. It is connected between the positioner and the actuator.

STANDARD SPECIFICATION

1	Test Pressure	10 Kg/cm ²
2	Set Pressure	1.5 to 6.5 Kg/cm ²
3	Inlet Pressure	7 Kg/cm ² Max.
4	Differential Pressure	0.1 Kg/cm ²
5	Flow rate	1500 NI/min. at 5Kg/cm ²
6	Ambient Temperature	-5 ~ 60°C
7	Air connection	1/2" NPT (F)
8	Weight	0.80 Kg.
9	Material	Aluminium



**Air Lock Relay (SAR02)
Single acting**

SETTING

Remove the cap and loose the lock nut. With the air pressure applied to both ports signal and inlet pressure, regulate the signal/Set pressure to the desired locking pressure. By rotating the setting screw clockwise or anti-clockwise locking pressure can be adjusted. Locking pressure can be checked by increasing and decreasing the signal/set pressure. Rotating the adjusting screw clockwise will increase the locking pressure and vice versa.



KOSO PALAKKAD

KOSO

KOSO FLUID CONTROLS PRIVATE LIMITED

(Wholly owned subsidiary of NIHON KOSO CO. LTD., Tokyo, Japan)

- Marketing Office** - Industrial Development Area, Kanjikode West, Palakkad, Kerala-678 623.
Tel : 0491 - 3014300 to 3014350 Fax : 0491 - 2569914.
Email : marketing@koso.co.in, kosomktg@gmail.com
- Branch Delhi** - Off No 768, Gali Kundewalan, Ajmeri Gate, Delhi - 110 006.
Tel : 011 - 64120153, Mob. : 09999 623374, Fax : 011 - 23234953.
Email : sunil2gautam@yahoo.co.in
- Branch Kolkata** - Thilottama Apartment, Flat No.6, 343, M.G. Road, Haridebpur, Kolkata -700 082.
Tel : 033 - 240299487, Mob. : 0 98312 39999.
- Branch Chennai** - Susi Gardens, 1125/6 West End Colony, Anna Nagar West Extension, Chennai - 600 050.
Tel : 044 - 26250048, Mob. : 0 94440 38176.
Email : kosocheennai@yahoo.com
- Branch Mumbai** - 303 SHIV KALASH, Plot 62, Sector 50 (E), Sea Woods, Nerul Navi Mumbai - 400 706.
Tel : 044 - 26250048, Mob. : 0 94440 38176.
Email : kosomumbai@yahoo.com
- Factory** - Industrial Development Area, Kanjikode West, Palakkad - 678 623, Kerala, India.
Tel : 0491 - 3014100 to 3014399 Fax : 0491 - 2567142.
- Foundry Division** - 1/80, Telungu Palayam Road, Annur, Coimbatore - 641 653, Tamil Nadu, India.

NOTICE:

Contents of this catalogue including technical specifications are subject to change without prior notice, due to continuous product improvement/upgradation.